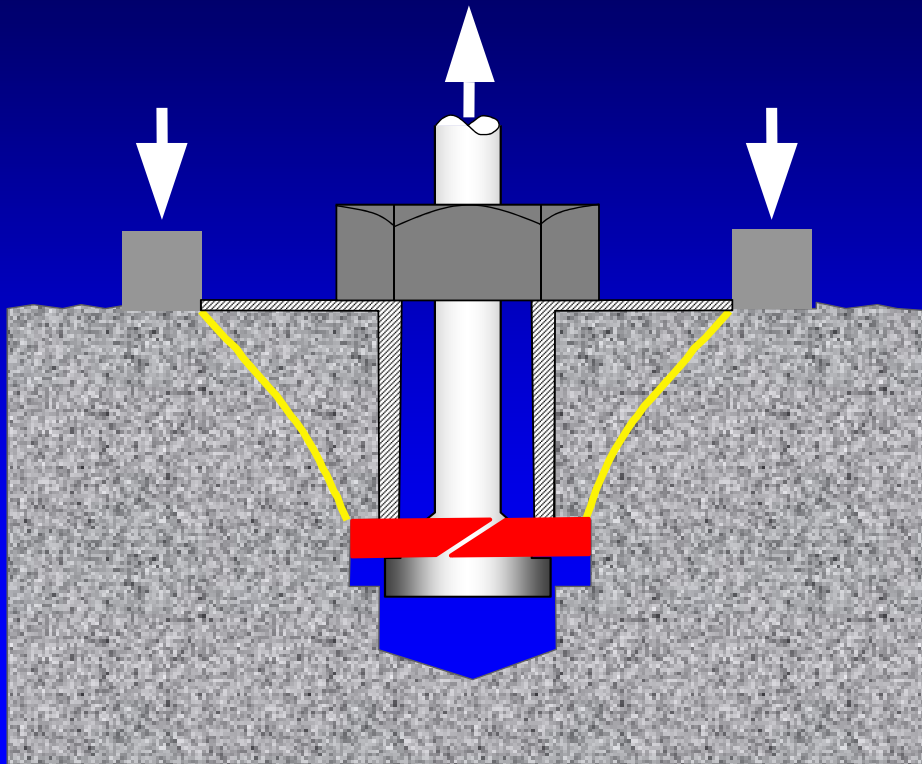


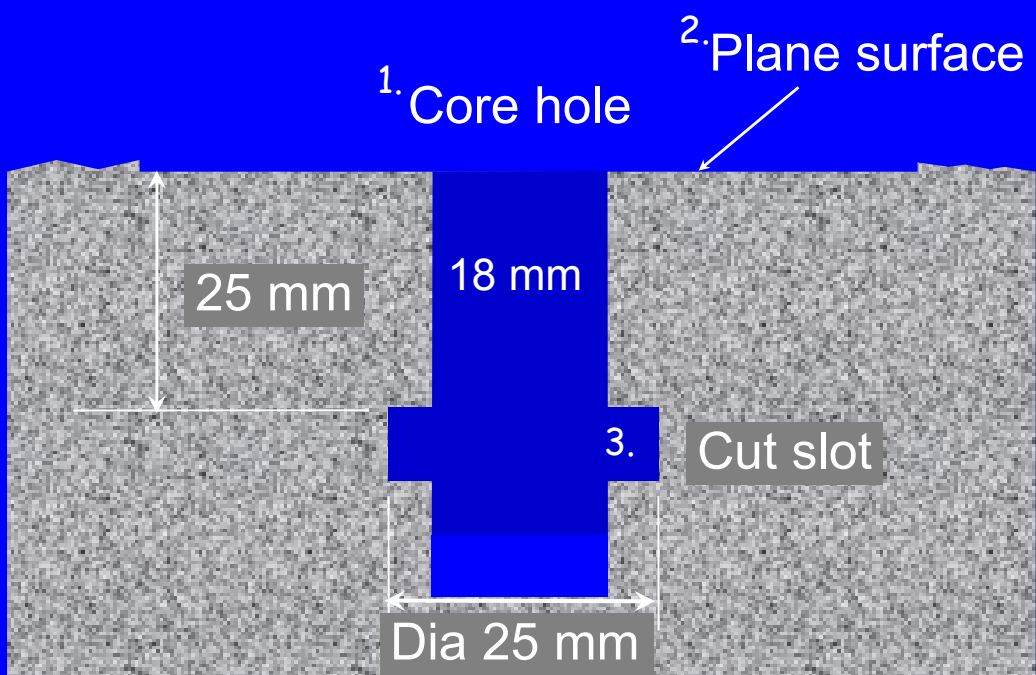
# CAPO-TEST



Test smart – Build right



# Preparation



Test smart – Build right



# 1. Core Hole



Test

# 2. Plane surface

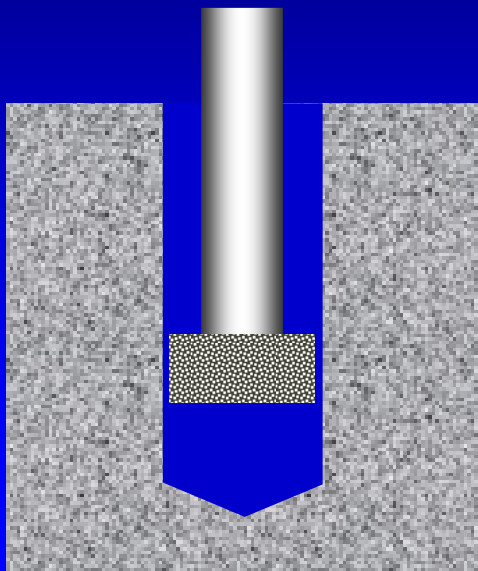


Test





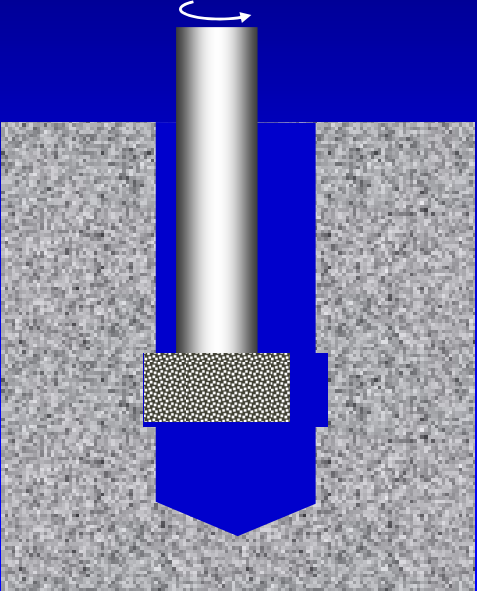
### 3. Cut Slot



Test



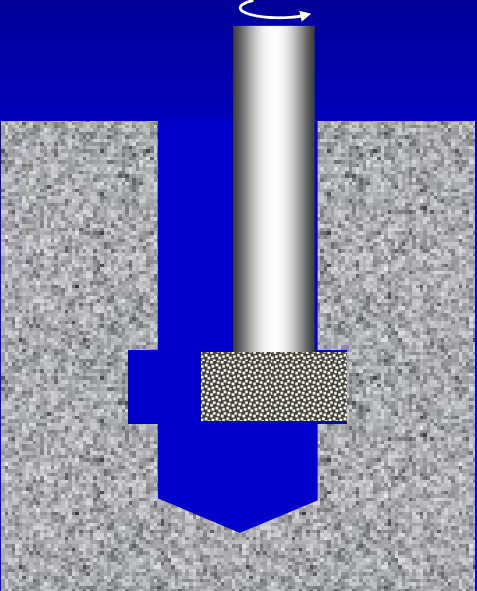
# Cut Slot



Test



# Cut Slot

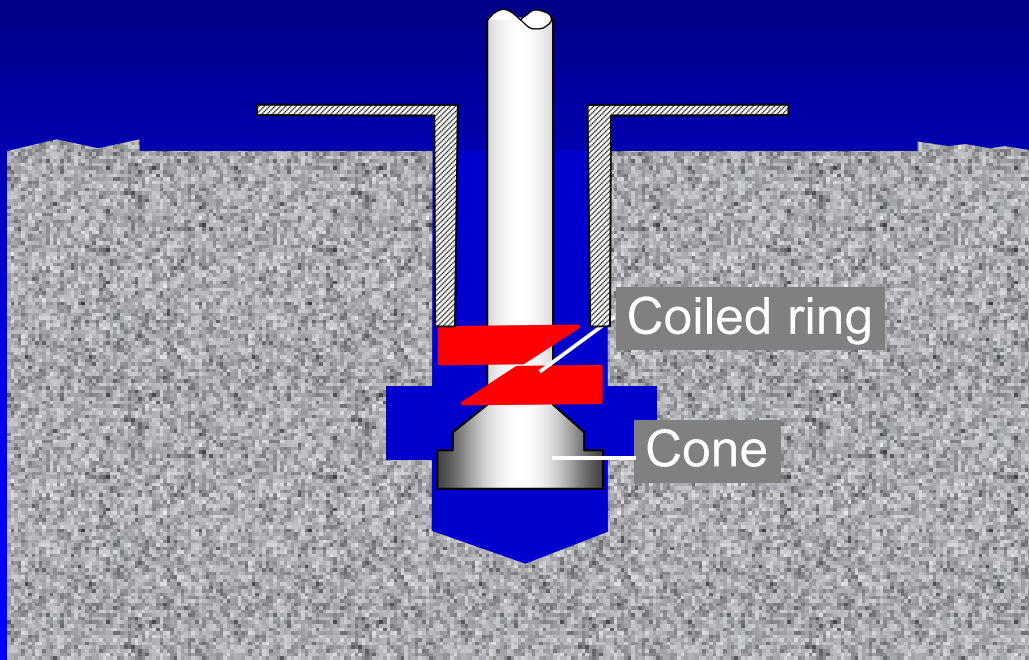


Test





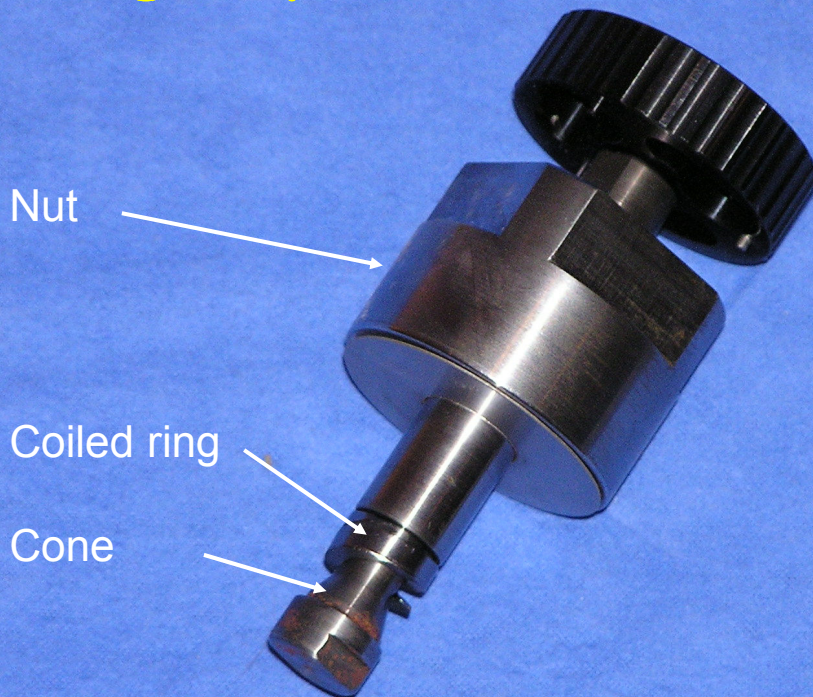
# Insert Expansion Cone and Coiled Split-Ring



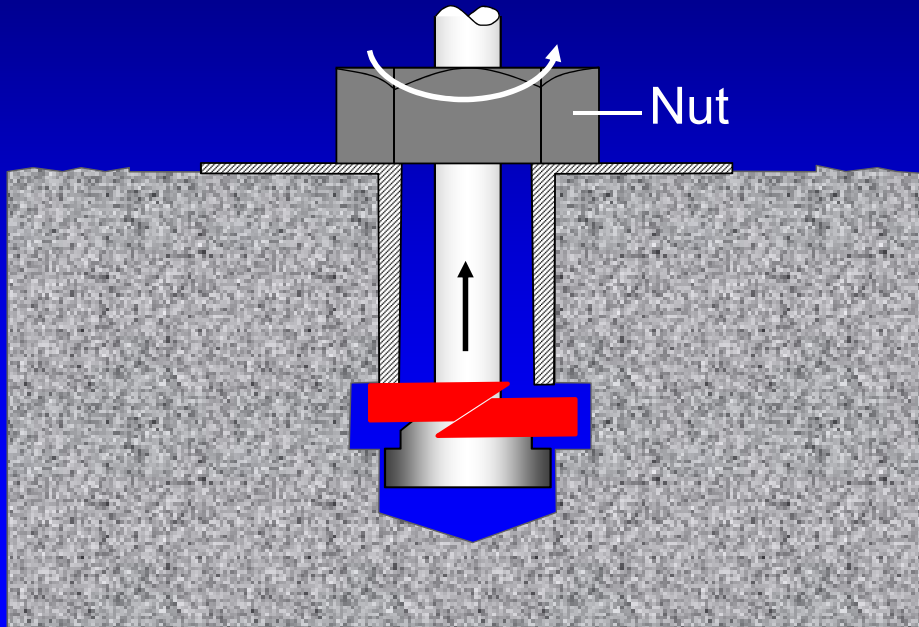
*Test smart – Build right*



# Ring Expansion Hardware



# Expand Ring



*Test smart – Build right*



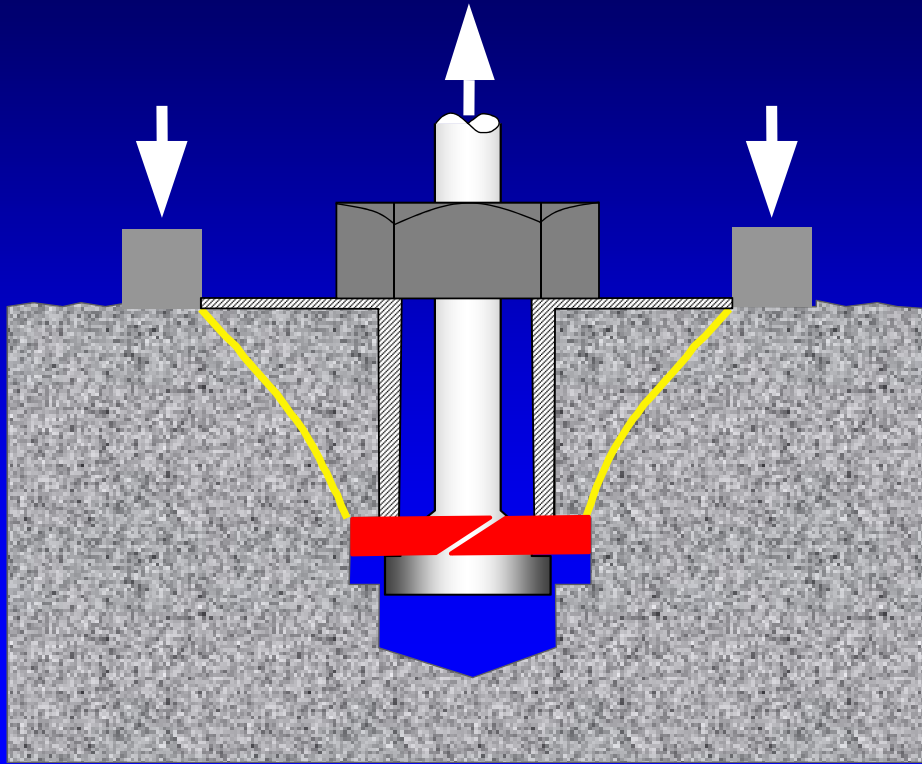
# Expand Ring, fully



*Test*



# Pullout the Expanded Ring



Test smart – Build right



Apply  
Pullout  
Force



Test

# Acceptable Test

Complete failure ring



Test

# Unacceptable Test

Incomplete failure ring



Test



# Criteria for correct CAPO testing



Test smart - Build right

GI